
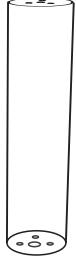
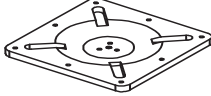
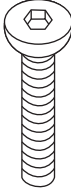
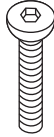
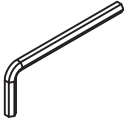
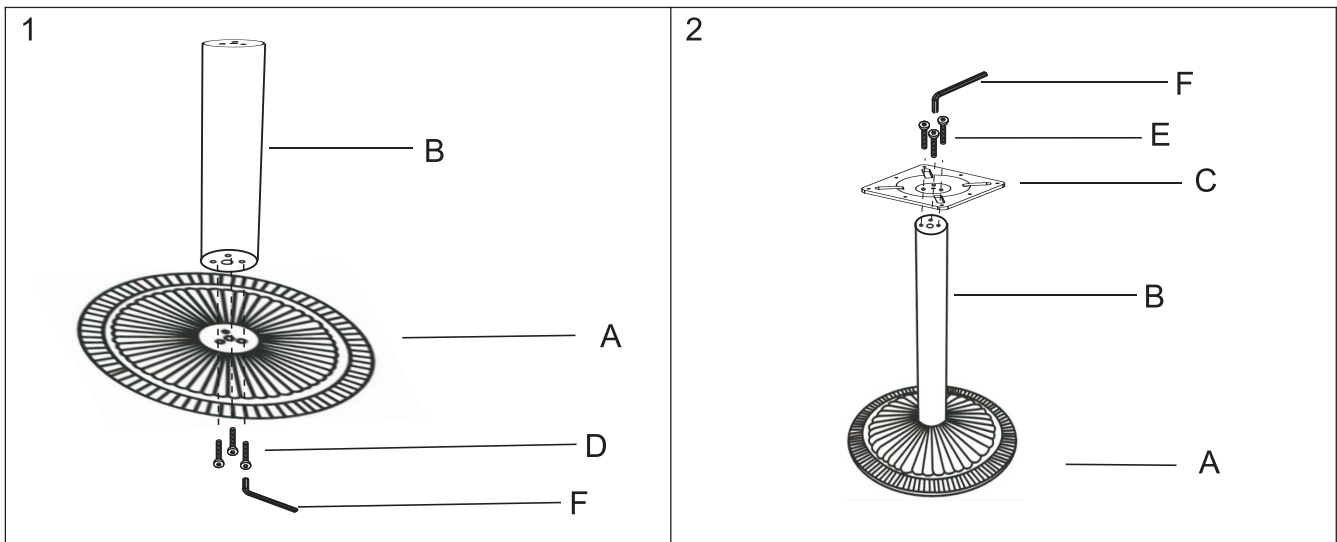


Assembly Instruction

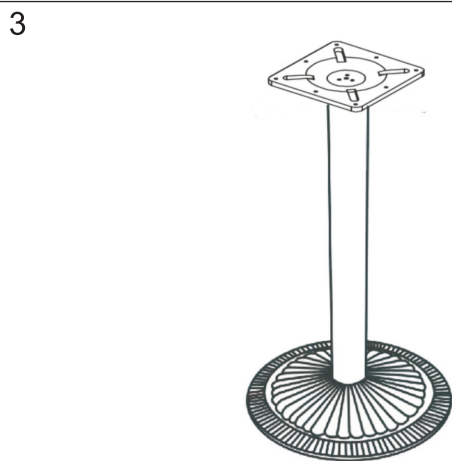
Maxim Table Frame

A	B	C	D	E	F
			 M8×45mm	 M8×25mm	
1x	1x	1x	3x	3x	1x



Fix A and B together with three screws M8×45mm (D) by using supplied Wrench (F).

Fix C and B together with three screws M8×25mm (E) by using supplied Wrench (F).



Finish the assembly.