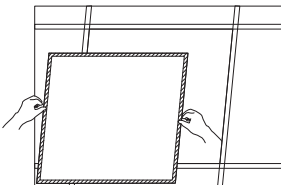
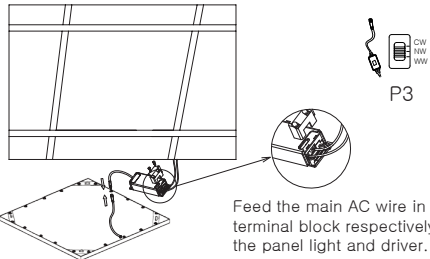
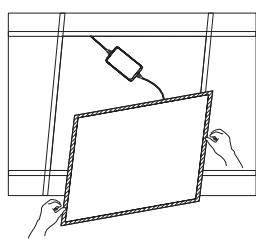


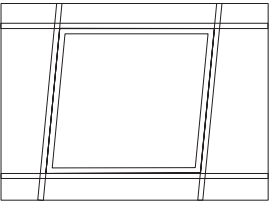
Installation Method

Flush Mount

- 

Remove the ceiling plaster slab.
- 

Feed the main AC wire in driver terminal block respectively, connect the panel light and driver.
- 

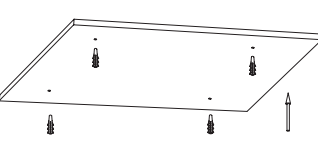
Fix the panel light into plaster ceiling.
Fix the panel
- 

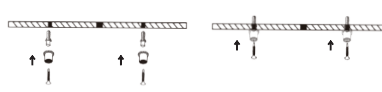
Make sure the led panel light is firmly fixed, turn on the power.

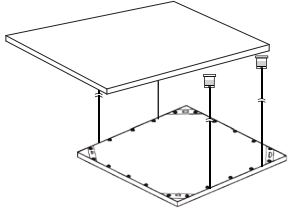
Suspension

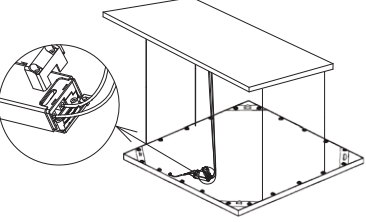
Accessories	3030	3060	6060	6262	30120	60120
	X 2		X 4	X 4	X 6	X 6
	X 2		X 4	X 4	X 6	X 6
	X 2		X 4	X 4	X 6	X 6
	X 2		X 4	X 4	X 6	X 6
	X 2		X 4	X 4	X 6	X 6



- 

Fix the anchor into target place on the ceiling.
- 

Fix the installation mount on the ceiling with plastic anchors.
- 

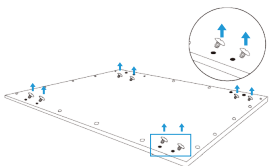
Adjust the length of steel wires.
- 

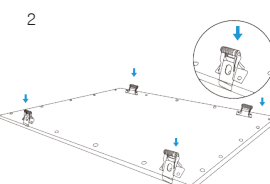
Feed the main AC wire in driver terminal block respectively, turn on the power.

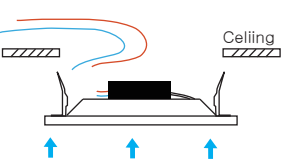
Recessed In a Cut-Out Hole

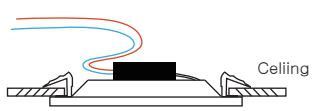
Accessories	3030	3060	6060	6262	30120	60120
		X 4			X 6	



- 

Remove the screws from the panel as picture shows
- 

Install the spring clips
- 

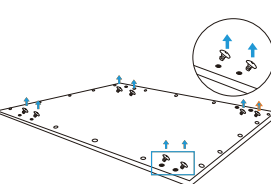
Connect the AC cables with driver and put the panel in the hole
- 

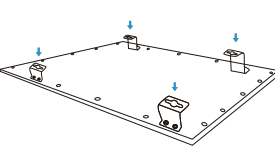
Adjust the panel to the right position

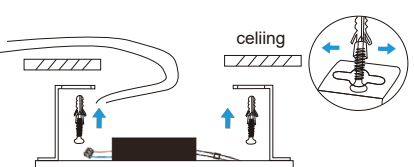
Easy Surface Mounting Kit

Accessories	3030	3060	6060	6262	30120	60120
	X 4		X 8	X 8	X 12	X 12
	X 4		X 8	X 8	X 12	X 12
	X 4		X 8	X 8	X 12	X 12
	X 2		X 4	X 4	X 6	X 6



- 

Remove the screws from the panel as picture shows
- 

Install the Z brackets
- 

Fix the panel to the ceiling