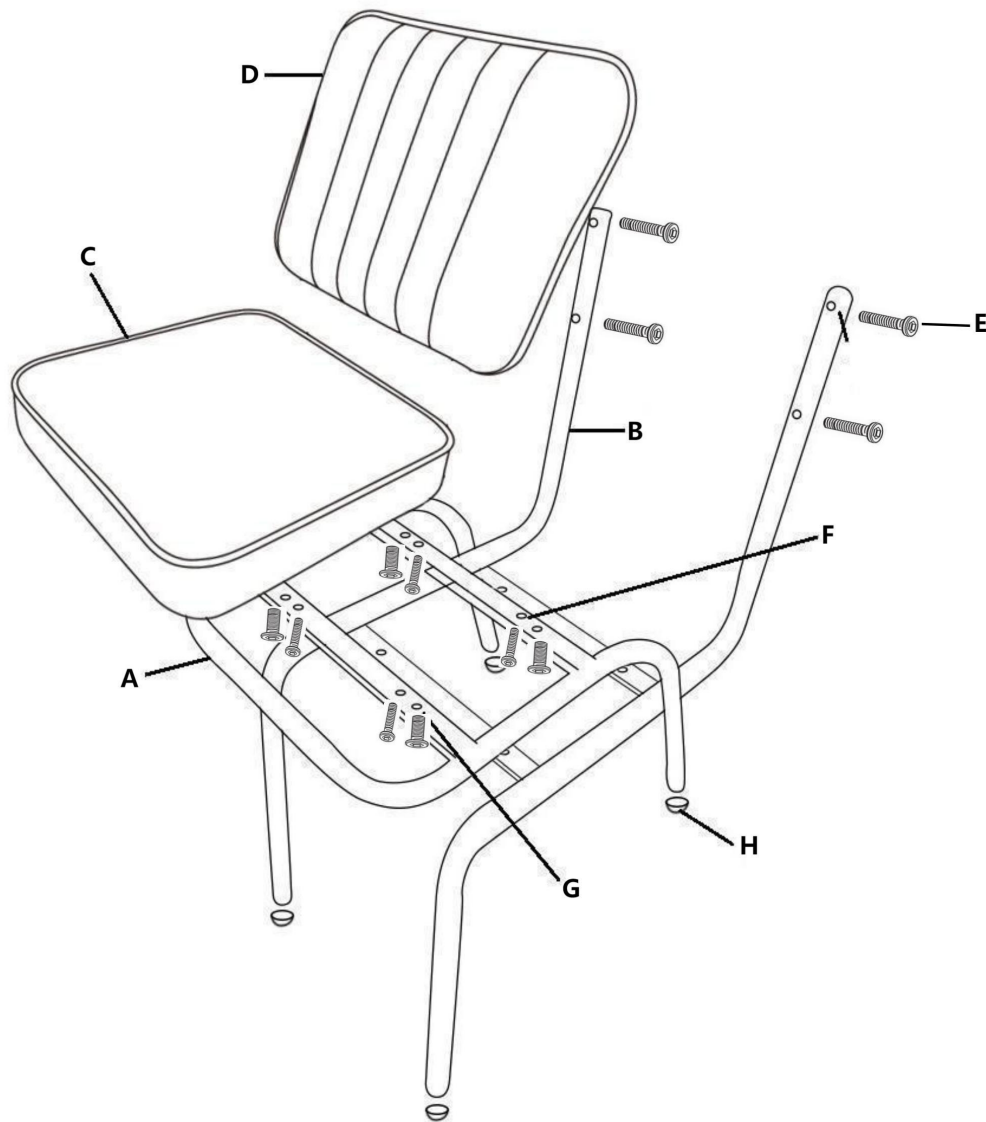


# EXPLOSIONSZEICHNUNG

Diner Stuhl



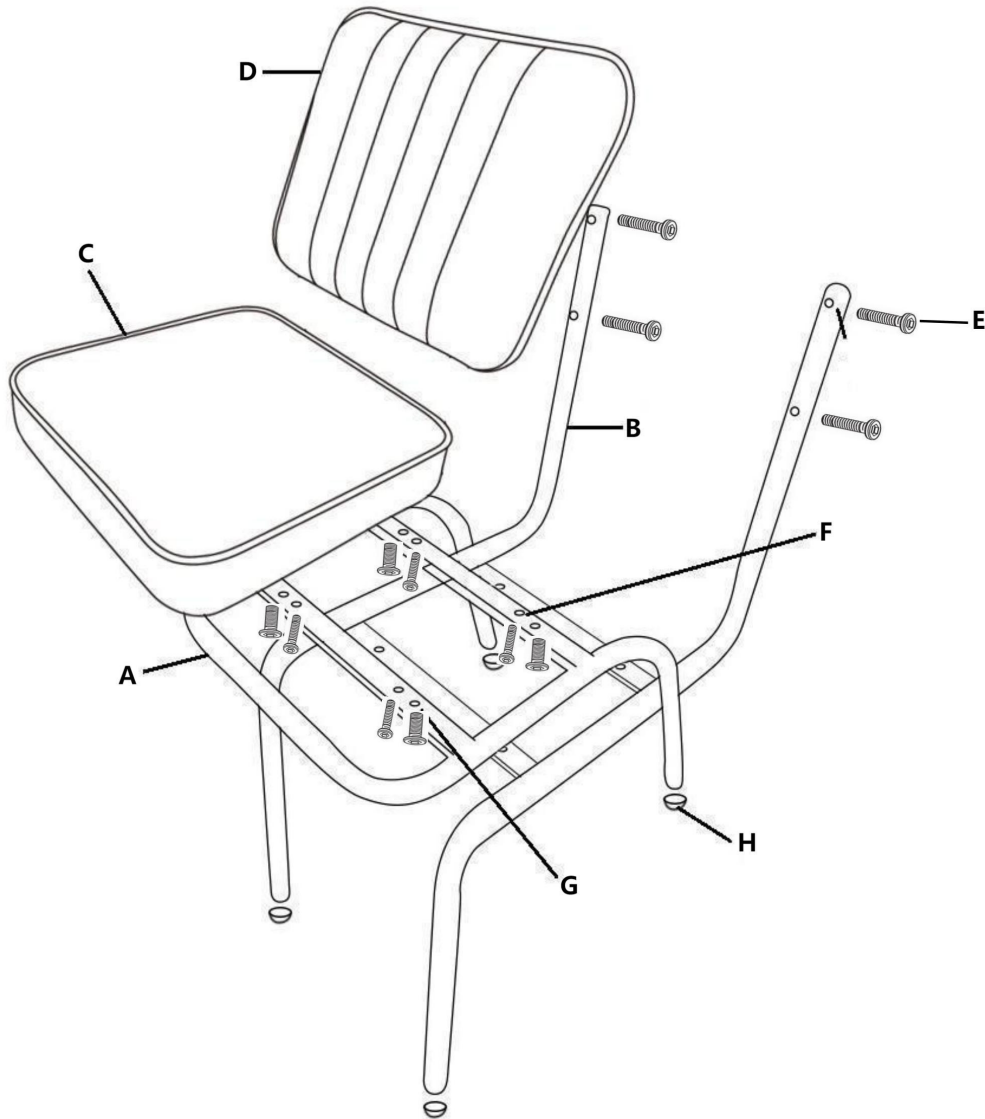
## Teilleiste

| Nr. | Name        | Menge |
|-----|-------------|-------|
| A   | Stuhlbein   | 1x    |
| B   | Gestell     | 1x    |
| C   | Sitzfläche  | 1x    |
| D   | Rückenlehne | 1x    |

| Nr. | Name             | Menge |
|-----|------------------|-------|
| E   | Schraube M6x35mm | 4x    |
| F   | Schraube M6x25mm | 4x    |
| G   | Schraube M8x20mm | 4x    |
| H   | Fußstopfen       | 4x    |

# EXPLOSION DRAWING

Diner Chair



## Parts List

| No. | Name      | QTY |
|-----|-----------|-----|
| A   | Chair leg | 1x  |
| B   | Frame     | 1x  |
| C   | Seat      | 1x  |
| D   | Backrest  | 1x  |

| No. | Name          | QTY |
|-----|---------------|-----|
| E   | Screw M6x35mm | 4x  |
| F   | Screw M6x25mm | 4x  |
| G   | Screw M8x20mm | 4x  |
| H   | Foot pad      | 4x  |